

Stick Shift Cozy

Supplies:

Caron Simply Soft in 3 colors, shown in Red, Heather Gray, and White



| yarn | Cozy |
|--------------------------------|--------------------|
| Caron Simply Soft acrylic yarn | <1 skein per color |

4.0mm and 2.75 dpn knitting needles

4.0mm crochet hook

Gauge

stockingnet on 4.0mm needles:

horizontal 1" = 5 stitches

vertical 1" = 7 rows

1/1 rib on 2.75mm needles:

horizontal 1" = 6 stitches

horizontal 1" stretched = 4 stitches

vertical 1" = 7 rows

Top of cozy

Long Tail Cast on 4⁴

4 rows stockingnet Inc 1 on each end using right and left edge increases¹²

stockingnet for 5 more rows

4 rows stockingnet Dec 1 on each end using left and right slanting decreases⁴

Bind off

Embroider logo into center of circle piece, or sew on ready made patch

Neck of cozy

Pick up roughly 28 stitches around perimeter of top²⁸

knit in the round till roughly 1.5" long

switch to 2nd color and 2.75 mm needles, start 1/1 rib and k₂tog roughly every 6 or 7 stitches to bring number of stitches to 24.²⁴

continue 1/1 rib for a second row

switch to 1st color and continue 1/1 rib till total length of cozy is roughly 3"

switch to 2nd color in 1/1 rib for 2 rows

switch to 3rd color in 1/1 rib for 4 rows

switch to 2nd color in 1/1 rib for 2 rows

switch to 1st color in 1/1 rib for 2 rows

switch to 4.0mm needles and stop knitting in the round,

Increases made by knitting in front and back of stitch
k₂,Inc1,k₅,Inc1,k₅,Inc1,k₅,Inc1,k₃²⁸

Stockingnet for 1"

switch to 2nd color stockingnet 1 row

3/3 rib 1 row

bind off

sew piping by crocheting single chain in color 1 into top of cozy along perimeter where you originally picked up stitches for neck.

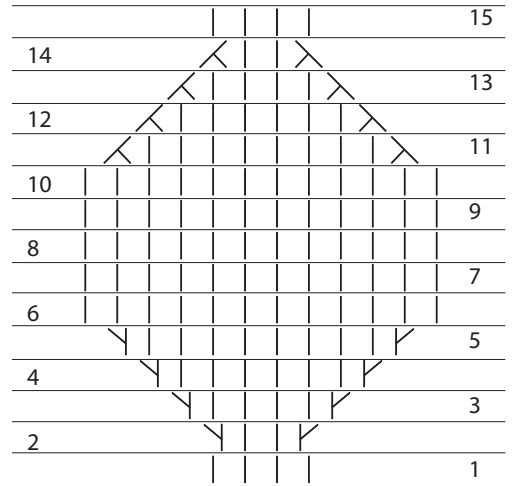
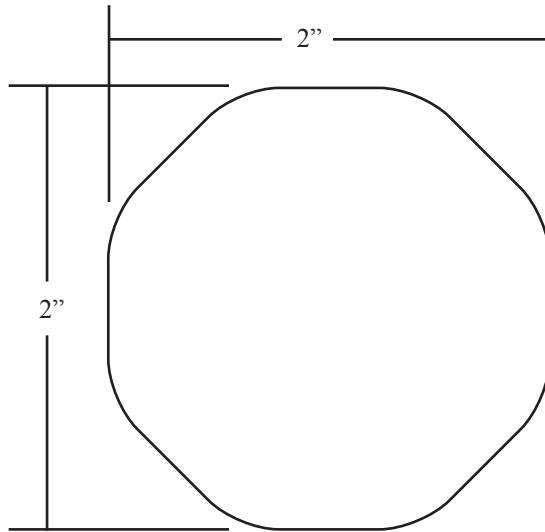
Schematics & Chart for top
shown on next page

Stitch markers are in green and superscript^{ex.1}

Please send any questions or comments to:
heather@keisergraphics.com

Please put "Stick Shift Cozy" in Subject Line

Top Dimensions, and symbol chart



Side view Dimensions

